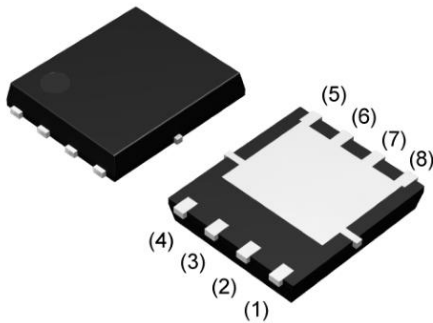


Description
30V N-CHANNEL ENHANCEMENT MODE POWER MOSFET
Features

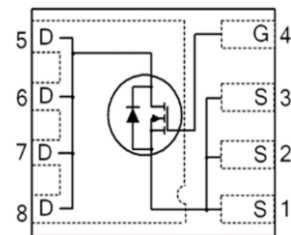
- Device Rating $V_{DS} = 30V$, $I_D = 53A$
- $R_{DS(ON)} = 8m\Omega$ (max.) @ $V_{GS} = 10V$, $I_D = 20A$
- Proprietary High Density Trench Technology
- RoHS Compliant & Halogen-Free

Application

- Battery Management System
- Load Switch
- Brushless DC Motor Control

Package


DFN5*6-8L
JFG53N30L


Absolute Maximum Ratings $T_C=25^\circ C$ unless otherwise specified

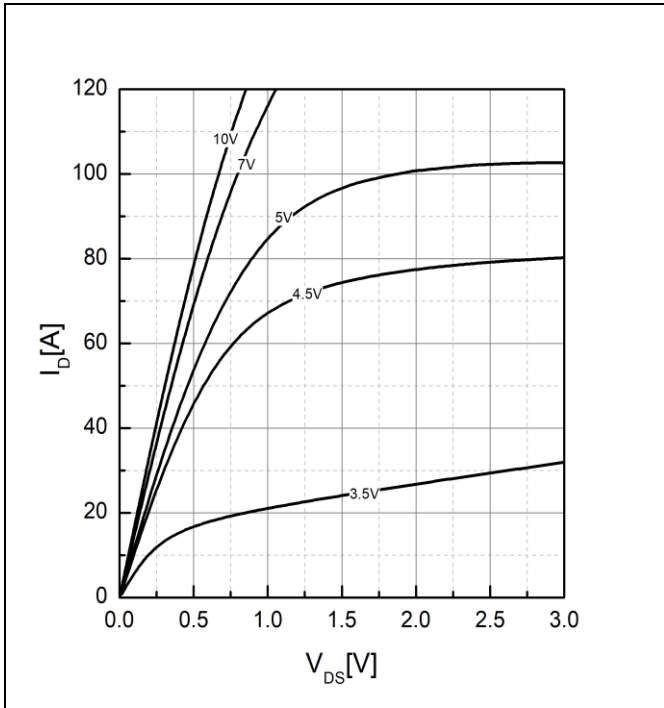
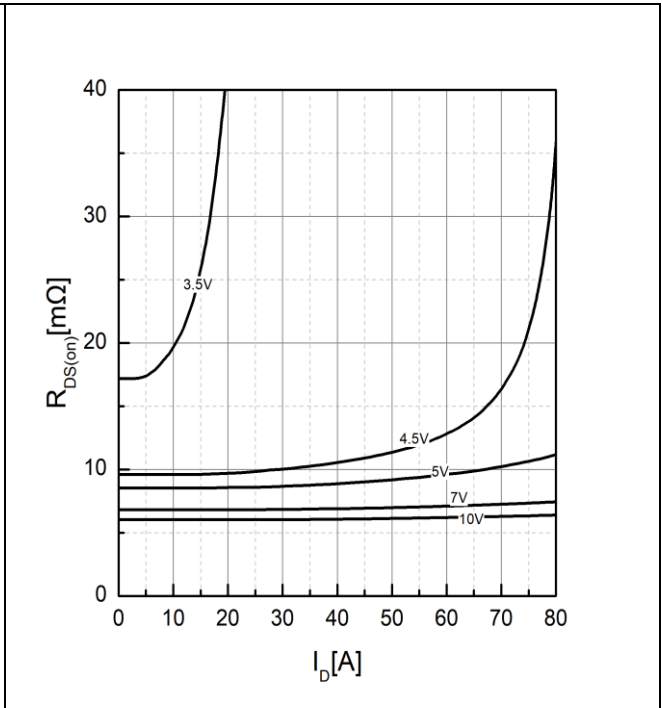
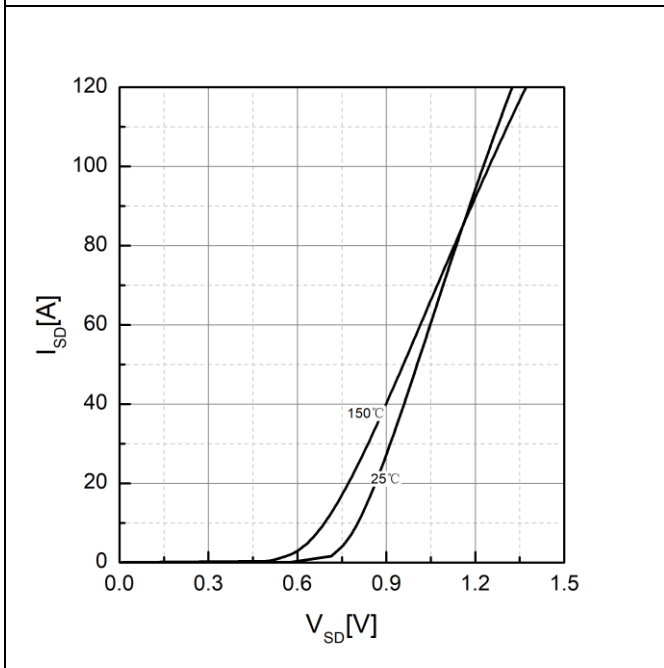
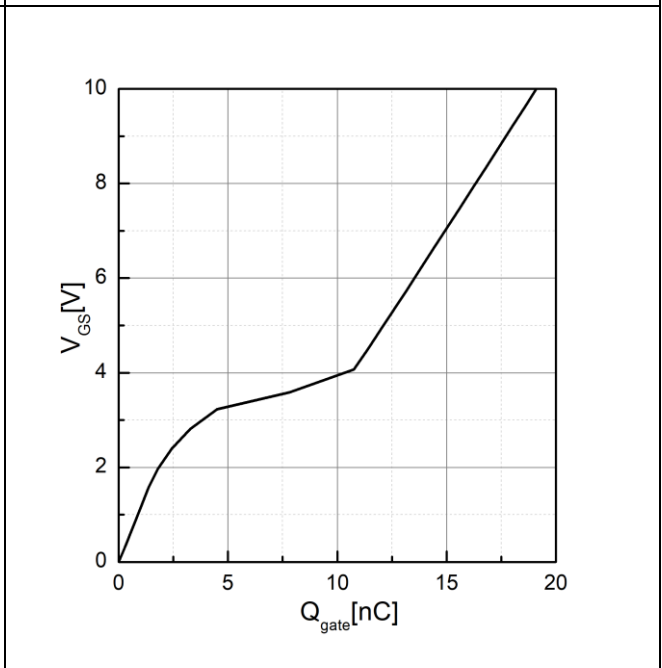
Symbol	Parameter	Max.	Units	
V_{DS}	Drain-Source Voltage	30	V	
V_{GS}	Gate-Source Voltage	± 20	V	
I_D	Continuous Drain Current, $V_{GS} @ 10V$ ^{note1}	$T_C = 25^\circ C$	53	A
		$T_C = 100^\circ C$	33	A
I_{DM}	Pulsed Drain Current ^{note2}	212	A	
P_D	Power Dissipation ^{note4}	$T_C = 25^\circ C$	32	W
	Power Dissipation	$T_A = 25^\circ C$	2.75	W
E_{AS}	Single Pulsed Avalanche Energy ^{note3}	43	mJ	
$R_{\theta JC}$	Thermal Resistance, Junction to Case ^{note1}	3.9	$^\circ C/W$	
$R_{\theta JA}$	Junction-to-Ambient (mounted on 1 inch square PCB)	45.4	$^\circ C/W$	
T_J, T_{STG}	Operating and Storage Temperature Range	-55 to +150	$^\circ C$	

Electrical Characteristics $T_C=25^{\circ}\text{C}$ unless otherwise specified

Symbol	Parameter	Test Condition	Min.	Typ.	Max.	Units
Off Characteristic						
BV_{DSS}	Drain-Source Breakdown Voltage	$V_{GS} = 0V, I_D = 250\mu A$	30	-	-	V
I_{DSS}	Drain-Source Leakage Current	$V_{DS} = 30V, V_{GS} = 0V$	-	-	1	μA
I_{GSS}	Gate to Body Leakage Current	$V_{DS} = 0V, V_{GS} = \pm 20V$	-100	-	100	nA
On Characteristics						
$V_{GS(th)}$	Gate Threshold Voltage	$V_{DS} = V_{GS}, I_D = 250\mu A$	1.0	-	2.5	V
$R_{DS(on)}$	Static Drain-Source On-Resistance ^{note2}	$V_{GS} = 10V, I_D = 20A$	-	6.1	8.0	m Ω
		$V_{GS} = 4.5V, I_D = 20A$	-	9.7	11.0	m Ω
g_{FS}	Forward Transconductance	$V_{DS} = 5V, I_D = 20A$	-	55	-	S
Dynamic Characteristics						
R_g	Gate Resistance			2		Ω
C_{iss}	Input Capacitance	$V_{DS} = 15V, V_{GS} = 0V,$ $f = 1.0MHz$	-	1106	-	pF
C_{oss}	Output Capacitance		-	495	-	pF
C_{rss}	Reverse Transfer Capacitance		-	393	-	pF
Q_g	Total Gate Charge	$V_{DD} = 15V, I_D = 20A,$ $V_{GS} = 10V$	-	19.9	-	nC
Q_{gs}	Gate-Source Charge		-	2.8	-	nC
Q_{gd}	Gate-Drain("Miller") Charge		-	6.6	-	nC
Switching Characteristics						
$t_{d(on)}$	Turn-On Delay Time	$V_{DD} = 15V, I_D = 20A,$ $R_G = 2\Omega, V_{GS} = 10V$	-	10	-	ns
t_r	Turn-On Rise Time		-	9	-	ns
$t_{d(off)}$	Turn-Off Delay Time		-	27	-	ns
t_f	Turn-Off Fall Time		-	14	-	ns
Drain-Source Diode Characteristics and Maximum Ratings						
I_S	Maximum Continuous Diode Forward Current ^{note1,5}		-	-	36	A
I_{SM}	Maximum Pulsed Diode Forward Current ^{note2,5}		-	-	212	A
t_{rr}	Reverse Recovery Time	$T_J = 25^{\circ}\text{C}, I_S = 20A$ $V_{GS} = 0V$	-	25	-	ns
Q_{rr}	Reverse Recovery Charge	$T_J = 25^{\circ}\text{C}, I_F = 20A$ $di/dt = 150A/\mu s$	-	8	-	nC
V_{SD} ^{note2}	Drain to Source Diode Forward Voltage	$V_{GS} = 0V, I_S = 20A$	-	0.86	-	V

Note :

- 1.The data tested by surface mounted on one inch² FR-4 board with 2OZ copper.
- 2.The data tested by pulsed, pulse width $\leq 300\mu s$, duty cycle $\leq 2\%$
- 3.The EAS data shows Max. rating. The test condition is $V_{DD}=25V, V_{GS}=10V, L=0.1mH, I_{AS}=29.3A$
- 4.The power dissipation is limited by 150°C junction temperature
- 5.The data is theoretically the same as I_D and I_{DM} , in real applications, should be limited by total power dissipation.

Typical Performance Characteristics

Figure 1. Output Characteristics

Figure 2. Drain-source on resistance , $T_J=25^\circ\text{C}$

Figure 3. Forward characteristics of body diode

Figure 4. Gate Charge Characteristics

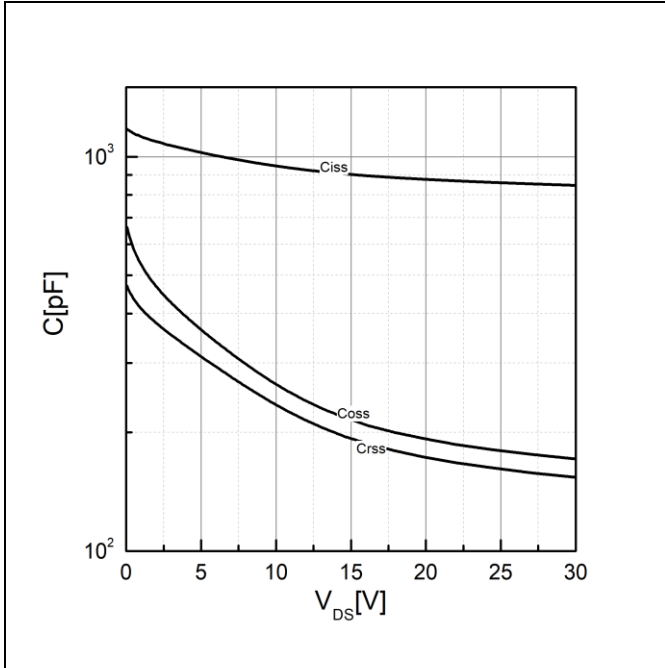


Figure 5. Capacitance Characteristics

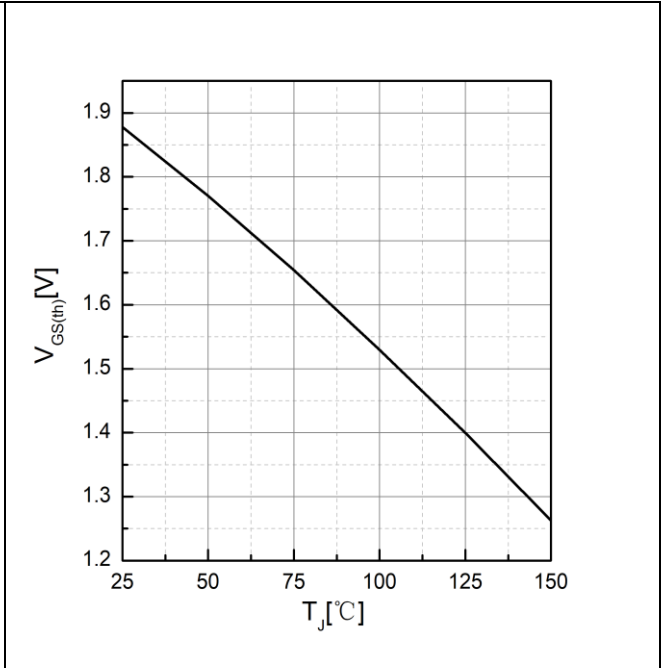


Figure 6. Threshold Voltage Vs. Temperature

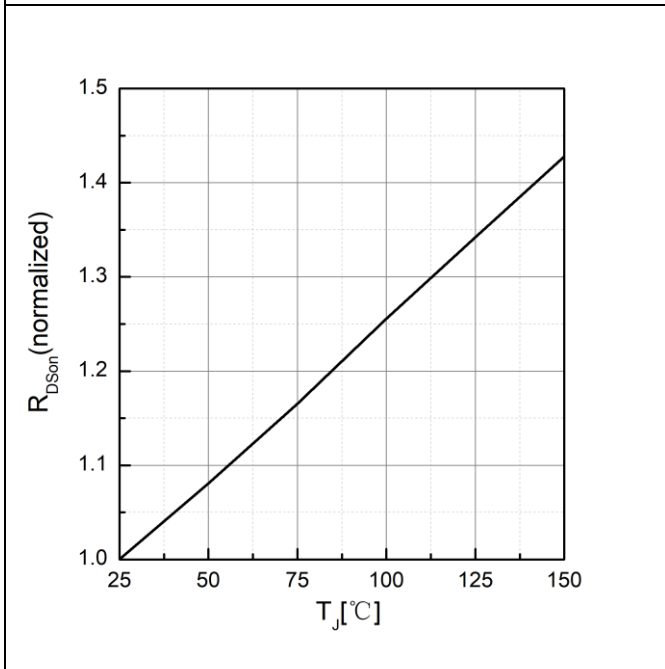


Figure 7. Drain-source on-state resistance

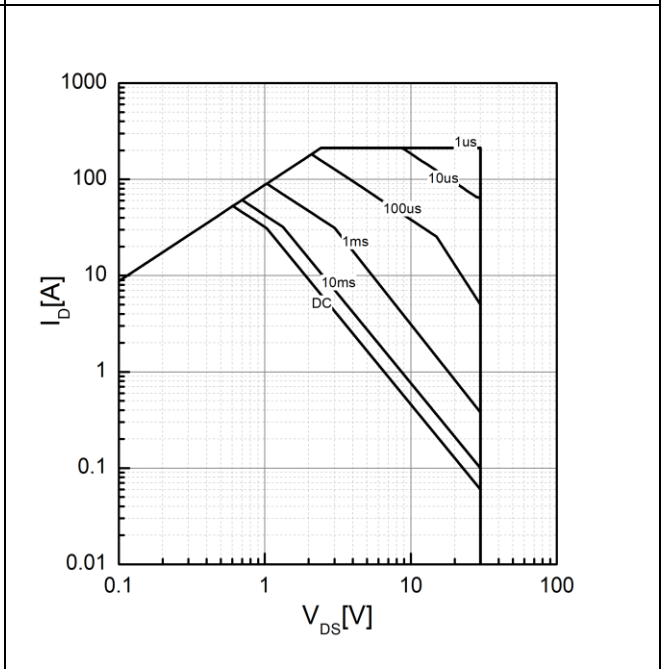


Figure 8. Maximum Safe Operating Area

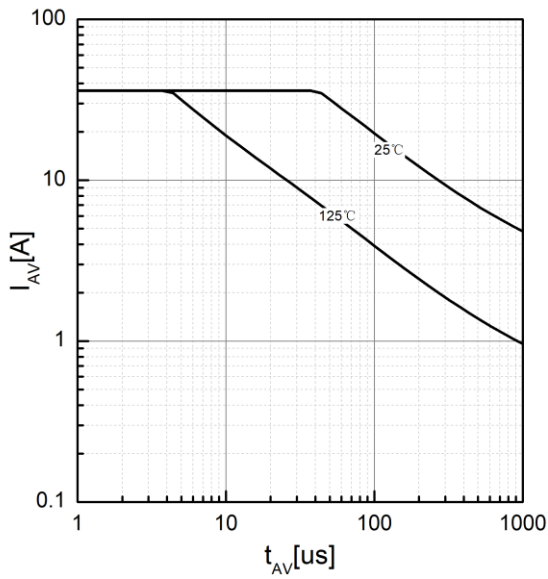


Figure 9. Avalanche characteristics

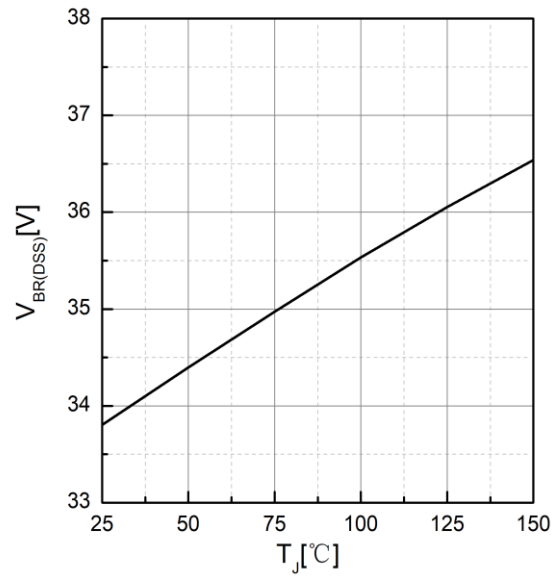


Figure 10. Drain-source breakdown voltage

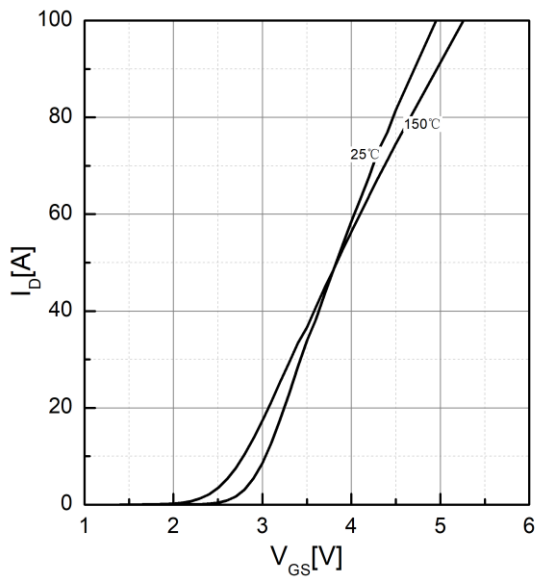


Figure 11. Transfer characteristics

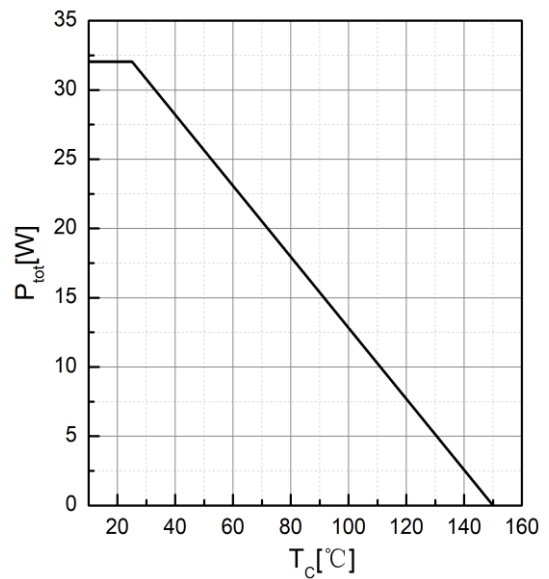


Figure 12. Power dissipation

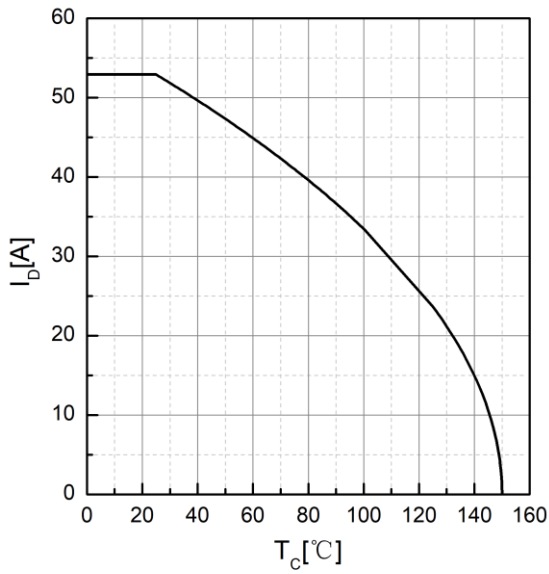


Figure 13. Drain current

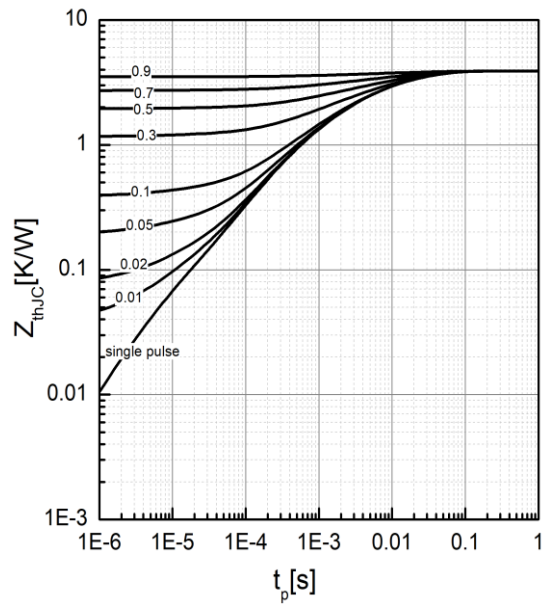


Figure 14. Effective Transient Thermal Impedance

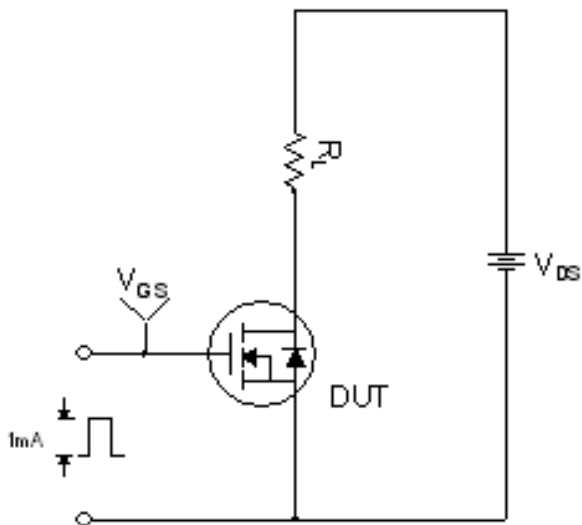
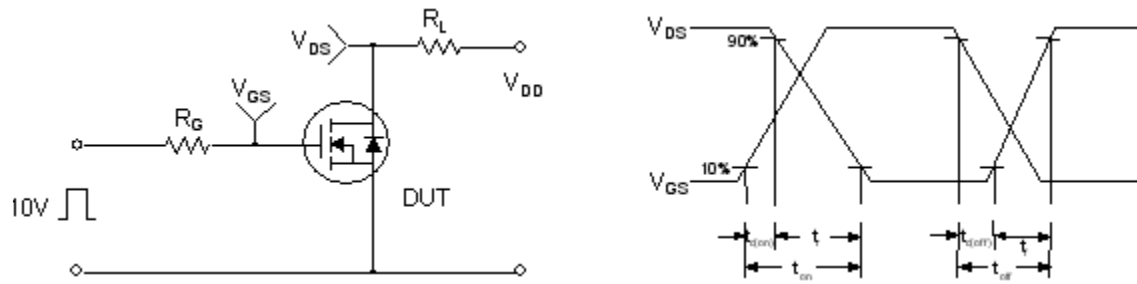
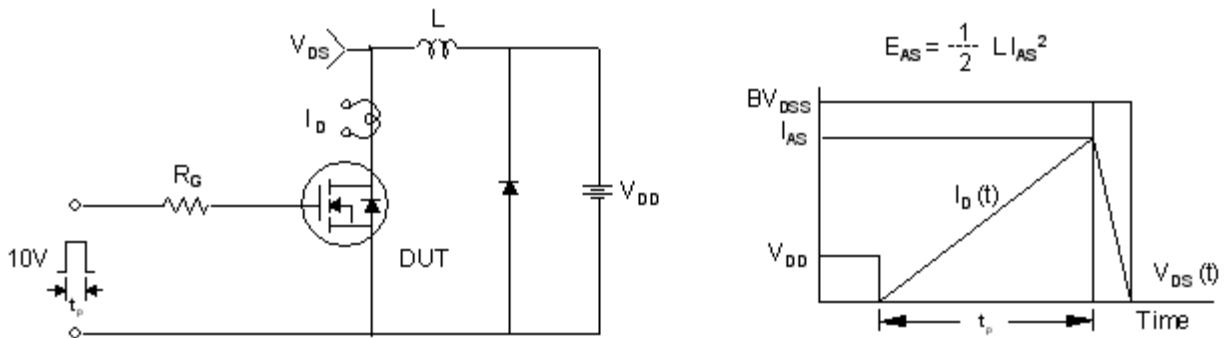
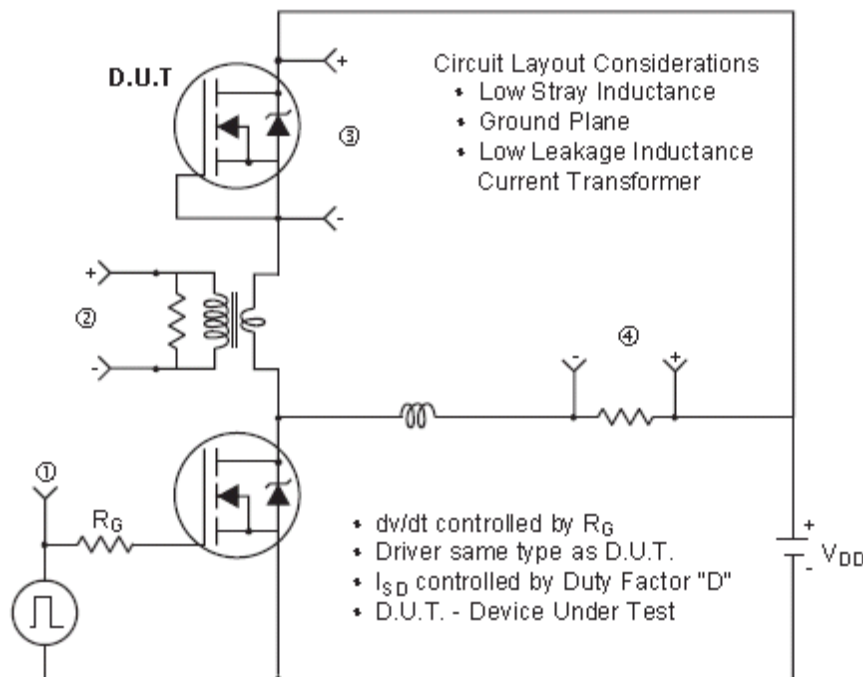


Figure 15. Gate Charge Test Circuit & Waveform


Figure 16. Resistive Switching Test Circuit & Waveforms

Figure 17. Unclamped Inductive Switching Test Circuit & Waveforms


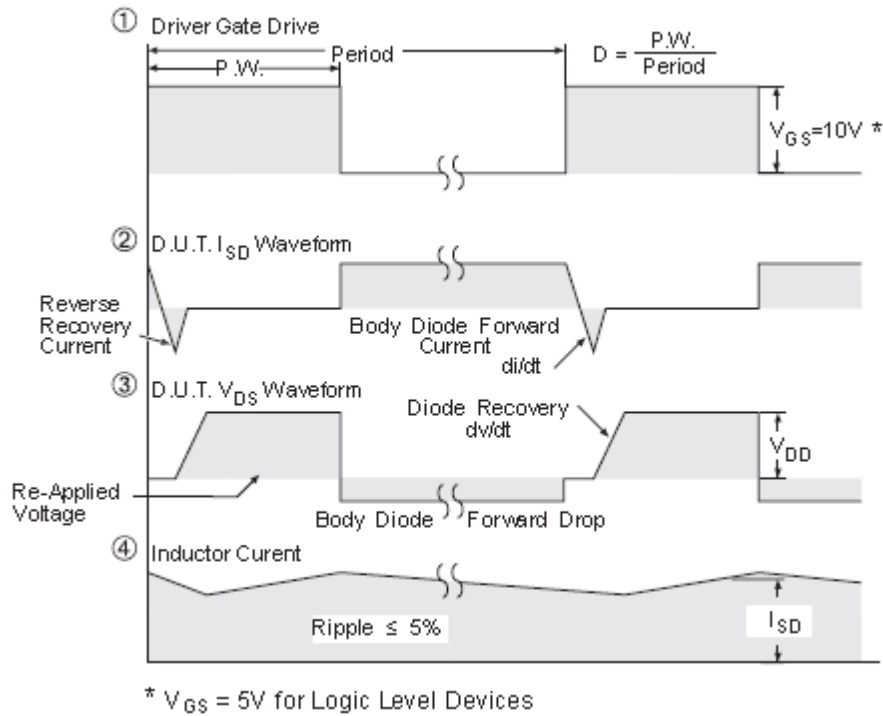
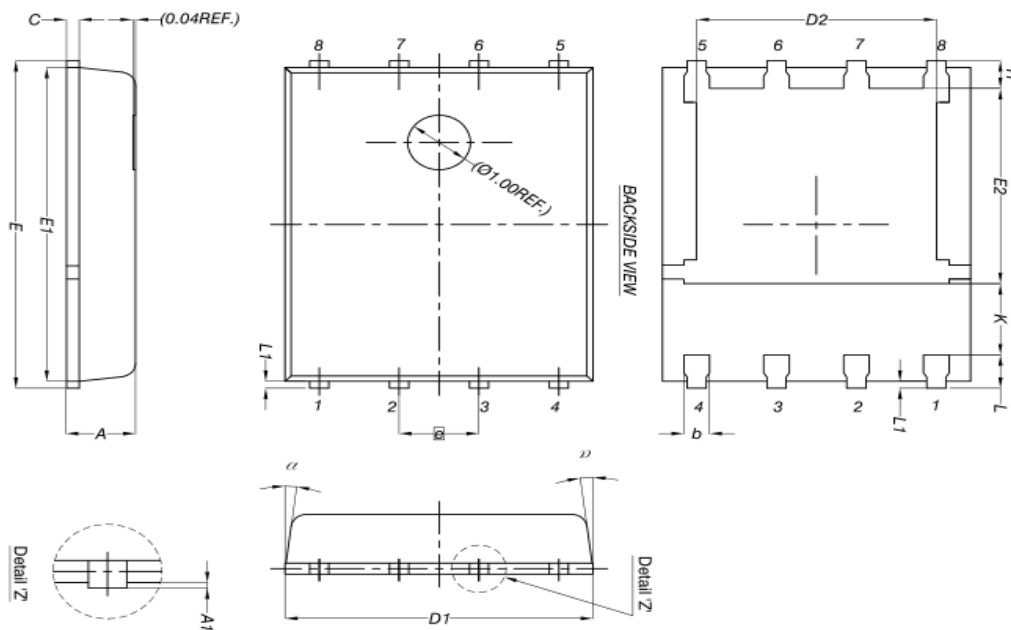
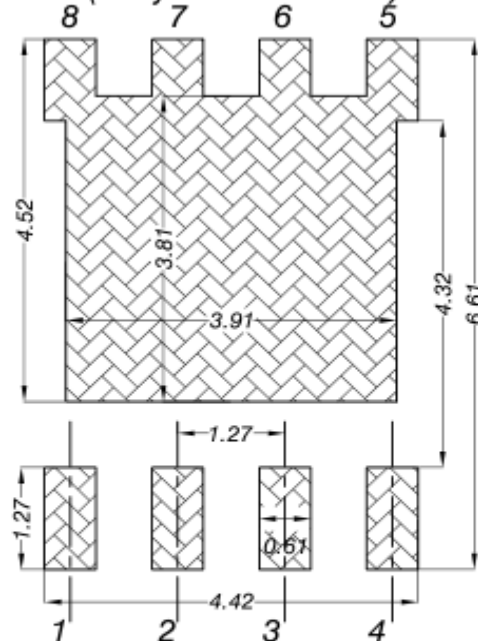


Figure 18. Peak Diode Recovery dv/dt Test Circuit & Waveforms (For N-channel)

Package outline


DIM.	MILLIMETERS		
	MIN.	NOM.	MAX.
A	0.90	1.00	1.10
A1	0	-	0.05
b	0.33	0.41	0.51
C	0.20	0.25	0.30
D1	4.80	4.90	5.00
D2	3.61	3.81	3.96
E	5.90	6.00	6.10
E1	5.70	5.75	5.80
E2	3.38	3.58	3.78
[e]	1.27 BSC		
H	0.41	0.51	0.61
K	1.10	-	-
L	0.51	0.61	0.71
L1	0.06	0.13	0.20
α	0°	-	12°

**Land Pattern
(Only for Reference)**

Note:

1. All Dimension Are In mm.
2. Package Body Sizes Exclude Mold Flash, Protrusion Or Gate Burrs.
Mold Flash, Protrusion Or Gate Burrs Shall Not Exceed 0.10 mm Per Side.
3. Package Body Sizes Determined At The Outermost Extremes Of The Plastic Body Exclusive Of Mold Flash, Tie Bar, Tie Bar Burrs, Gate Burrs And Interlead Flash, But Including Any Mismatch Between The Top And Bottom Of The Plastic Body.
4. The Package Top May Be Smaller Than The Package Bottom.

Figure 19. DFN 5x6 Package outline

Disclaimer:

JUNSHINE does not give any representations or warranties, expressed or implied, as to the accuracy or completeness of such information and shall have no liability for the consequences of use of such information.

JUNSHINE reserves the right to make changes to information published in this document, including without limitation specifications and product descriptions, at any time and without notice. This document supersedes and replaces all information supplied prior to the publication hereof.

JUNSHINE makes no warranty, representation or guarantee regarding the suitability of the products for any particular purpose or the continuing production of any product. To the maximum extent permitted by applicable law, JUNSHINE disclaims (1) any and all liability arising out of the application or use of any product, (2) any and all liability, including without limitation special, consequential or incidental damages, and (3) any and all implied warranties, including warranties of fitness for particular purpose, non-infringement and merchantability.

JUNSHINE products, except as expressly indicated in writing, are not designed for use in medical, life-saving, or life-sustaining applications, or for any other application in which the failure of the JUNSHINE product could result in personal injury or death. Customers using or selling JUNSHINE products not expressly indicated for use in such applications do so at their own risks.

Resale of JUNSHINE products with statements different from or beyond the parameters stated by JUNSHINE for that product or service voids all express or implied warranties for the associated JUNSHINE product or service and is unfair and deceptive business practice. JUNSHINE is not responsible or liable for any such statements.

No license, express or implied, by estoppel or otherwise, to any intellectual property rights is granted by this document or by any conduct of JUNSHINE. Product names and markings noted herein may be trademarks of their respective owners.

JUNSHINE IS A FULLY OWNED SUBSIDIARY OF Wuxi XICHANWEIXIN Semiconductor Co., Ltd.